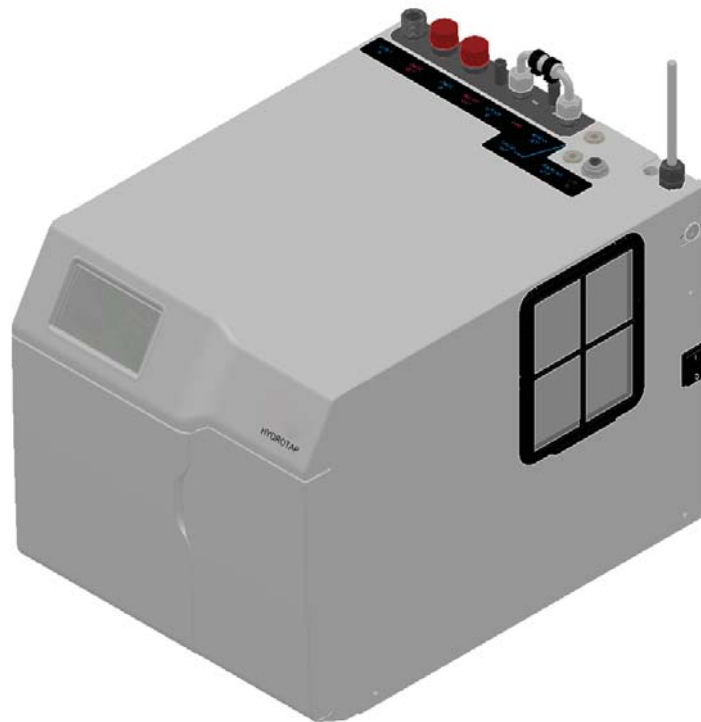


Zip HydroTap® G4

Filtered Boiling, Chilled and Sparkling drinking water for Residential kitchens and tea rooms.

BCS Residential



**Affix Model Number Label
Here
802005**

Tap options

The HydroTap appliance series offers a range of interchangeable taps to suit the customer's needs (See options below). For ease of installation, it is recommended to fit the tap before installing the undersink unit. The installation procedure for each of the taps is detailed in a separate tap installation instruction book No. 803341, supplied with the tap.

For all operational features of the HydroTap, please refer to the BCS User manual No.802006.



Classic Tap



Arc / Cube Tap



Elite Tap



All-In-One Tap

HydroTap Specifications

Installation check list	4
General Product Features.....	5
Important Safety Instructions	6
Warnings and Regulatory Information.....	7
Major components and Accessories	8
Technical Specification	9
Before Installation and site requirements.....	10

Installation procedure:

STEP 1 - Fit the tap to the benchtop or sink, before installing the undersink unit.
(Refer to the Tap installation instruction book 803341)

STEP 2 - Check for adequate ventilation

Section 2 - Ventilation

2.1 - Cut out details 11-13

STEP 3 - Install the Booster Heater (if required)

Section 3 - Booster heater Installation

3.1 - Booster Heater specifications and Installation 14-16

STEP 4 - Fit the CO₂ Gas cylinder

Section 4 - CO₂ Cylinder

4.1 - Connect and secure the 2.64kg CO₂ gas cylinder 17-18

4.5 - Leak Test 18

STEP 5 - Install the undersink unit

Section 5 - Undersink unit installation

5.1 - Check the external bypass valve setting..... 19

5.2 - Mains water supply hose 19

5.3 - Model BCS..... 20

5.4 - Model BCSHA - AIO Mains..... 21

5.5 - Model BCSHAV - AIO Vented..... 22

STEP 6- Commission the HydroTap

Section 6 - Commissioning

6.1 - CO₂ Purge..... 23

6.2 - Filter Flush 23

6.3 - Boiling Calibration 24

6.4 - Booster activation 24-25

6.5 - Sensor calibration 25

Trouble Shooting

Trouble Shooting Table..... 26

End of life disposal..... 26

Notes..... 27

Contact details 28

Installation checklist

Thank you for purchasing a Zip HydroTap. Please read and follow these instructions carefully to ensure safe and trouble free service. If service is required, please call 1800 638 633

Before Installation:

- A. Read the instructions and check if there is adequate space to mount all of the components.
- B. **Note:** Not all fittings are supplied with the appliance kit. Isolation valves and special tools are not supplied (See Technical Specifications for details).
- C. Check the mains water pressure is between 250 - 700kPa
- D. Check the water quality to determine if extra filtration will be required.
Note: This product must be fitted to a potable water supply.
- E. Check the appliance rating plate and ensure correct power is available for the appliance.
- F. Check the under counter cupboard supporting the appliance is adequate for the total weight of the appliance, when full of water.

Before Commissioning:

- 1. Check the unit has been installed correctly.
- 2. Flush the supply line before connecting to the undersink unit.
- 3. Check all plumbing fittings have been tightened.
- 4. Ensure the outlet and vent pipes are positioned to drain correctly.
- 5. Ensure there is adequate ventilation.
- 6. Check all tubes from the underbench unit to the tap, have a constant rise and there are no sags or kinks in the hoses.
- 7. Check all electrical connections are correct and there are no loose wires.

Commission: (See section 5)

- 8. Turn on the gas and water and check for leaks.
- 9. Turn on the power.
- 10. Purge the CO₂
- 11. Flush the filter.
- 12. Where applicable, programme the unit to suit the customer's requirements.

General Product Features

What is the Zip HydroTap ?

The Zip HydroTaps are electronically controlled, filtered, Boiling, Chilled and Sparkling water, drinking systems for kitchens and tea rooms. The HydroTap units are under bench drinking water appliances with a dispensing tap mounted on a sink or bench, which may be used for residential applications. These units utilise a conventional refrigerant compressor to chill the water and (for BCS) an immersion heating element to boil the water and all utilise a CO₂ gas cylinder to carbonate the chilled water. Depending on the model, these units will dispense boiling water (factory set to 98°C) chilled water (factory set to 5-10°C) These units are NOT designed to be used for sanitary fixtures.

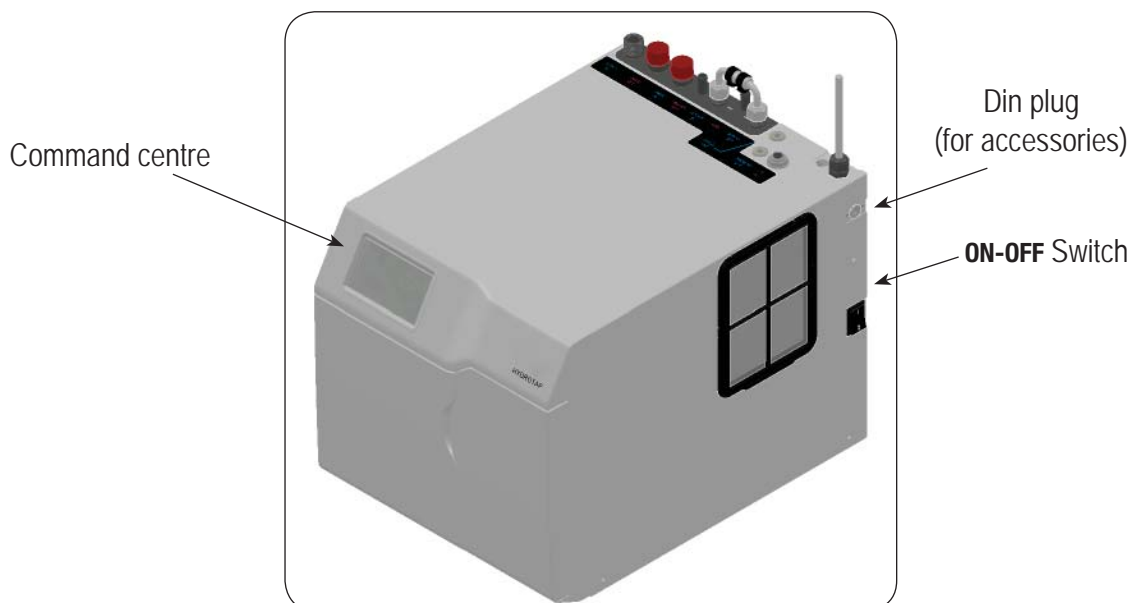
The boiling water units are fitted with a tap mounted, child safety lock. In addition, there are various energy saving options accessible via the main menu. Each boiling unit is equipped with a self-calibrating program which caters for altitude adjustment. The 2kg CO₂ bottle and the water filter are disposable items. Both will require periodic replacement and are covered by a limited OEM warranty.

It is important that the Installation be done safely, correctly and completely, in order to utilise all the benefits the HydroTap can provide. Each Classic and AIO HydroTap can be ordered with the Tap Head Assembly for Disabled use. The disabled levers are supplied with Braille caps for the visually impaired.

Usage:

The Zip HydroTap is intended for use in residential household and similar applications such as, Rural and urban residential Kitchens, Hotels, Motels, Bed and Breakfast and other residential type environments

HydroTap BCS



Important Safety Instructions

This manual contains important safety, Installation instructions for the Zip HydroTap G4.

Safety

This appliance is not intended for use by persons (including children) with reduced physical, sensory or mental capabilities, or lack of experience and knowledge, unless they have been given supervision or instruction concerning use of the appliance by a person responsible for their safety. Children should be supervised to ensure that they do not play with the appliance.



For products sold in Europe, this appliance can be used by children aged from 8 years and above and persons with reduced physical, sensory or mental capabilities or lack of experience and knowledge if they have been given supervision or instruction concerning use of the appliance in a safe way and understand the hazards involved. Children shall not play with the appliance. Cleaning and user maintenance shall not be made by children without supervision.

Refrigerant

The Zip HydroTap unit contains R134A refrigerant under pressure. Maintenance of the refrigeration unit must be carried out by an accredited service provider or qualified refrigeration technician.

Qualifications

If the power cable is damaged it must be repaired only by a qualified technician. To avoid hazards, all Installation procedures must be carried out by a suitably qualified tradesperson. The power cable and power outlet must be in a safe visible position for connection.

Venting

Ensure the tap body is located so the tap outlet safely dispenses into the sink bowl area.

Lifting

Take care when lifting the Zip HydroTap unit. Some units may exceed safe lifting limits. If you feel this is beyond your personal capabilities, please seek assistance with the lift. The weights of the units are marked on the packaging. Do not lift the unit by the front cover or any connections at the top rear of the unit. Refer to the technical specifications for the weight of your product.

Airflow

The ambient operating temperatures, when installed in a cupboard, must be between 5°C - 35°C. The system will operate satisfactorily only if proper air ventilation is provided and only if the recommended air gaps of 50mm on each side are provided. See section 2 for correct ventilation details.

Positioning

It is important to ensure the underbench unit is positioned in an accessible area close to the floor level. The unit must have its base mounted in a horizontal position with all inlets and outlets facing up. The Tap must be located above the underbench unit. See section 4 for details.

Important Safety Instructions



WARNINGS

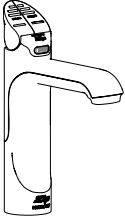


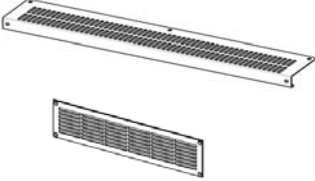

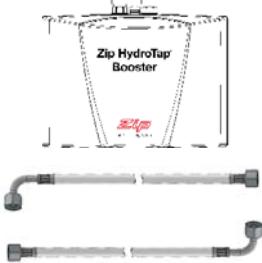
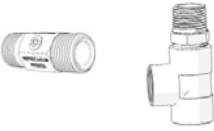
1. The Zip HydroTap unit must be earthed. The resistance of the earth connection from each exposed metal part must be less than 1 ohm.
2. All Installation and service work must be completed by trained and suitably qualified Tradespeople. Faulty operation due to unqualified persons working on this product, or any other Zip product may void warranty coverage.
3. All Plumbing must comply with AS/NZS3500.
4. All Electrical must comply with AS/NZS3000
5. All Plumbing and Electrical connections must be made in accordance with local regulations.
6. This HydroTap product is rated for 230V 50Hz AC operation.
7. Underbench units must never be located near, or cleaned with water jets.
8. Zip HydroTaps are not to be exposed to the elements of nature
9. Due to the process of continuous improvement, Zip Heaters reserves the right to change details mentioned in this manual, without notice.



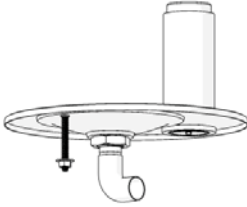


CO₂ Cylinder Warnings:

- Pressurised container.
- Protect from sunlight.
- Contains gas under pressure, may explode if heated.
- Do not expose to temperatures exceeding 50°C.
- Do not pierce or burn, even after use.
- Do not refill – non rechargeable
- Ensure cylinder is empty before disposal.
- Do not expose to naked flame or any incandescent material.
- Keep out of reach of children.
- High concentration of gas may cause asphyxiation.
- Use only in ventilated areas.
- Unless well ventilated, store the cylinder in an area no less than 20 cubic meters for each kg of gas. (See section 4)
- Use only in an upright position.
- This bottle must be used with the approved pressure regulator.
- Avoid shock.
- Use according to MSDS. (Material Safety Data Sheet).



Major components and accessories

Parts supplied	Description
	1 off 4 HydroTaps with hoses (Classic tap shown)
	1 off HydroTap Undersink Unit with air and water filters
	1 off Mains water connection hose
	Vent Kit 1 x Inlet vent 1 x Outlet vent 9 x Screws
<div style="display: flex; justify-content: space-around; align-items: center;"> <div style="border: 1px solid black; padding: 2px; text-align: center;">User Manual</div> <div style="border: 1px solid black; padding: 2px; text-align: center;">Quick start guide</div> </div>	1 x User guide and 1 x Quick start guide
	1 off CO ₂ gas cylinder & regulator assy.
	HydroTap Booster Water System with connection hoses. (Model BCSHAV)
	1 x Restrictaflow valve and Tee piece for BCSHAV and select models

Accessories	Description
	Softener and head assembly
	Font Kit for Arc & Cube Models
	Font Kit for Classic & Elite Models
	Replacement Filter
	Disabled lever Kit

Technical Specifications

Product covered by these instructions:

- BCS = Boiling Chilled Sparkling, Filtered
- BCSHA = Boiling Chilled Sparkling, Hot & Ambient (Mains)
- BCSHAV = Boiling Chilled Sparkling, Hot & Ambient (Vented)
- D = Disabled lever controls, (Order as an option)

NOTE: chilled water will continue to be dispensed after the rated capacity has been used, although this may be at slightly higher temperature.

	GPO's Required	Power Rating (W)	Booster Rating (W)	Unit Dimensions W x D x H (mm)	**Dry Weight (Kg)
Boiling Chilled Sparkling					
BCS	1x10A	1700	N/A	339 x 460 x 335	30
All-In-One					
BCSHA	1x10A	1700	N/A	339 x 460 x 335	30
BCSHAV	2 x 10A	1700	2200	339 x 460 x 335	30

** Add an extra 5 kg when full of water

Before Installation



Before installing ensure that the following have been provided at the Installation site:

- Review all the technical specifications.
- Ensure the underbench can support the product weight when full of water, (allow an extra 5kg when full.)
- Sufficient space in the cupboard to install all of the undersink units in accordance with these Installation Instructions. Refer to technical specification for dimensions. Make allowance for a booster heater and / or water softener if required. Refer to section 3 & 4, for Installation instructions.
- For Zip HydroTap BCS models, a 220-240Vac, 10A GPO will be required. For Zip HydroTap BCSHAV model, a double 220-240Vac, 10A GPO will be required. (One outlet is for the Zip HydroTap and the other for the Booster heater).



 **Note: Check all cable and hose lengths against inlet /outlet positions before proceeding** (See section 5 for general layout).

- A potable water supply connection with isolating valve inside the cupboard within reach of the braided hoses and positioned so that the connection point and the stop cock will not be obstructed when the undersink units are installed.
- For the mains pressure All-IN-ONE, an external hot and cold water supply will be required.
- If an external filtration or water softening device is required, then it is important to allow extra space for these items.
- A cold water supply with a minimum working pressure of 250kPa and a maximum working pressure of 700kPa connected via an isolation valve.
- The fitting of an air flow duct, attached to the right hand side of the unit, requires a rectangular cut size of 284mm x 45mm, to provide adequate warm air displacement. See section 2.
- The appliance must be placed with it's base in a horizontal position.

IMPORTANT! Do not proceed with the Installation if these requirements are not met.

Special Tools Required:

In addition to normal tools, the following will be required:

For the standard and Mixer taps:

- 35mm diameter sheet metal hole punch for sink tops. (Not supplied)
- 35mm diameter hole saw for timber bench tops. (Not supplied)
- Nut runner tube spanner (supplied) for fixing tap assembly.

For the All-In-One tap:

- 50mm diameter sheet metal hole punch for sink tops. (Not supplied)
- 50mm diameter hole saw for timber bench tops. (Not supplied)
- Nut runner tube spanner (supplied) for fixing tap assembly.

Section 2

Ventilation

When installing air flow ducts, the following tools will be required:

- Jigsaw and 12mm Drill
- Keyhole or Wall Board saw.

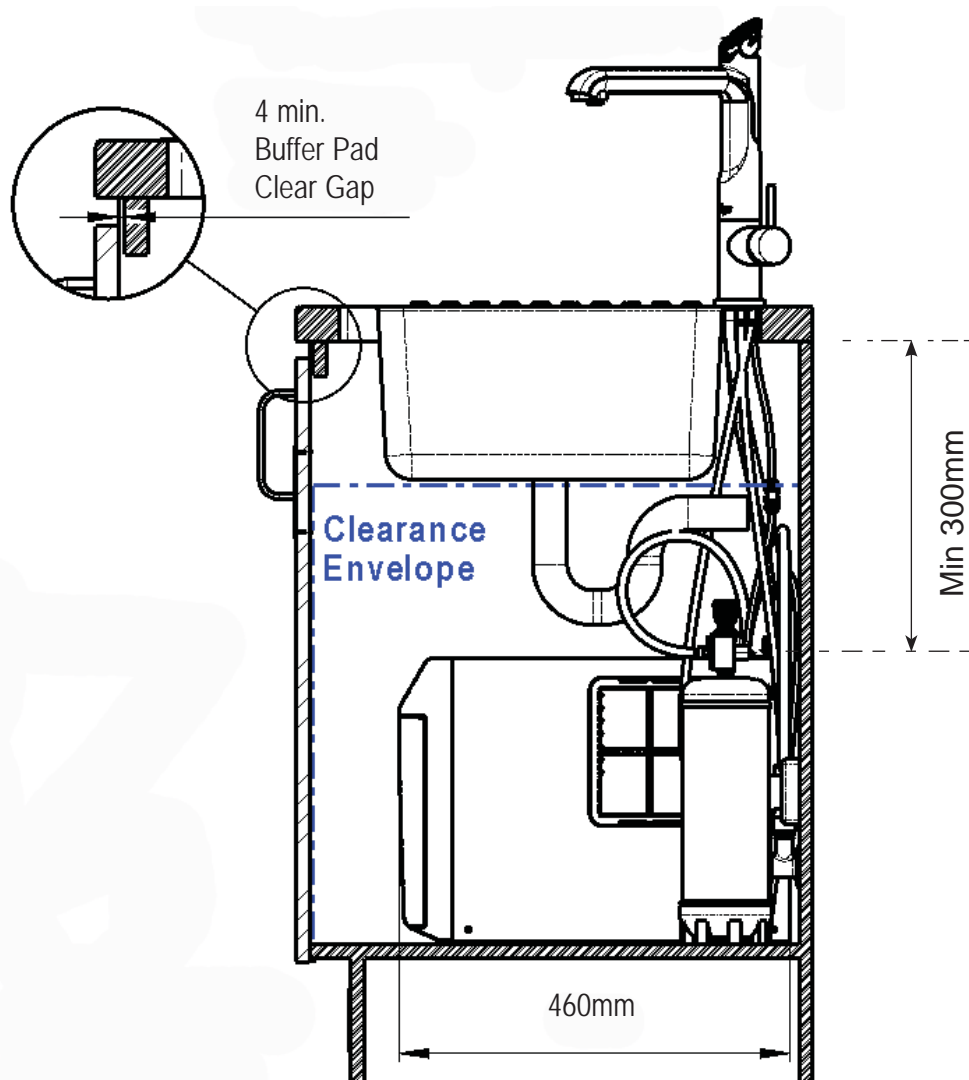
2.1 Ventilation for All Models

Proper air circulation must be provided for all Boiling and Chilled models. The system will operate correctly only if the recommended air gaps are achieved during Installation. The minimum requirement is for a 50mm air gap either side and 300mm above of the undersink unit.

It is important that the 4mm door buffers (For all installations) are fitted to the inside edge of the cupboard door to allow sufficient air circulation inside the cupboard. (See the diagram below).



IMPORTANT: See section 4 for clearances.



Ventilation

2.2 The following instructions are critical if there is insufficient cupboard air circulation.

If the air flow, using the silicon door buffers, is insufficient, it will be necessary to fit a standard HydroTap vent kit, which ensures heat dissipation through natural convection via installed vents.

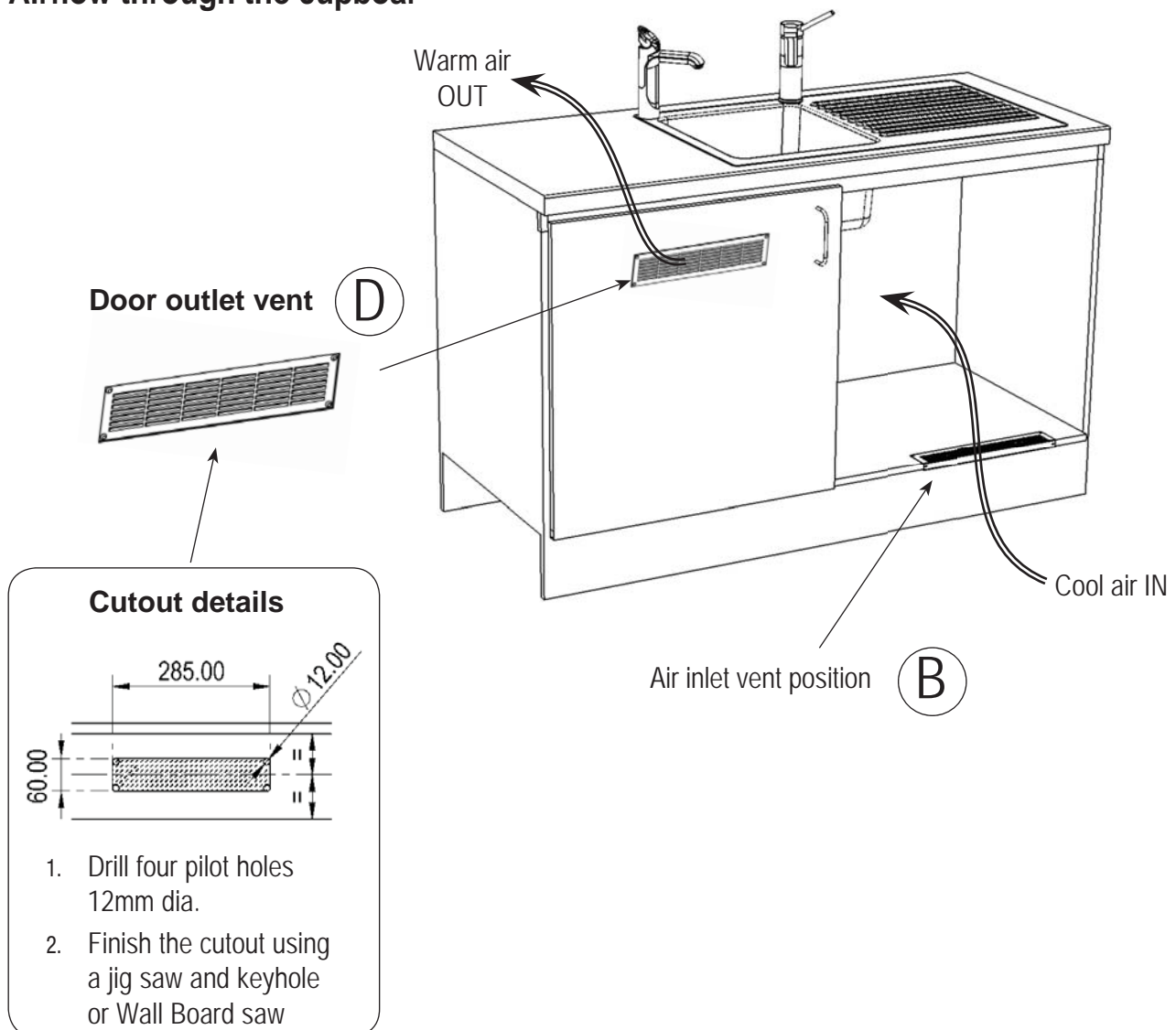
For high use applications, where the cupboard space temperature is near 35°C, or higher, the inlet vent (See Item B below) and silicon buffers, need to be fitted. If the airflow is still insufficient to maintain normal operating temperatures then the inlet vent and door outlet vent (See item D below) will need to be fitted.

Alternatively a fan kit may be installed, using the AUX din plug of the right hand side of the appliance (Contact your local service centre for availability).



Note: The vent kit has to be installed in a way that allows air to be drawn in from the bottom of the cupboard and expelled through the top of the cupboard. Therefore placement of the outlet vent should be towards the top of the door or on the side of the cupboard.

Airflow through the cupboard

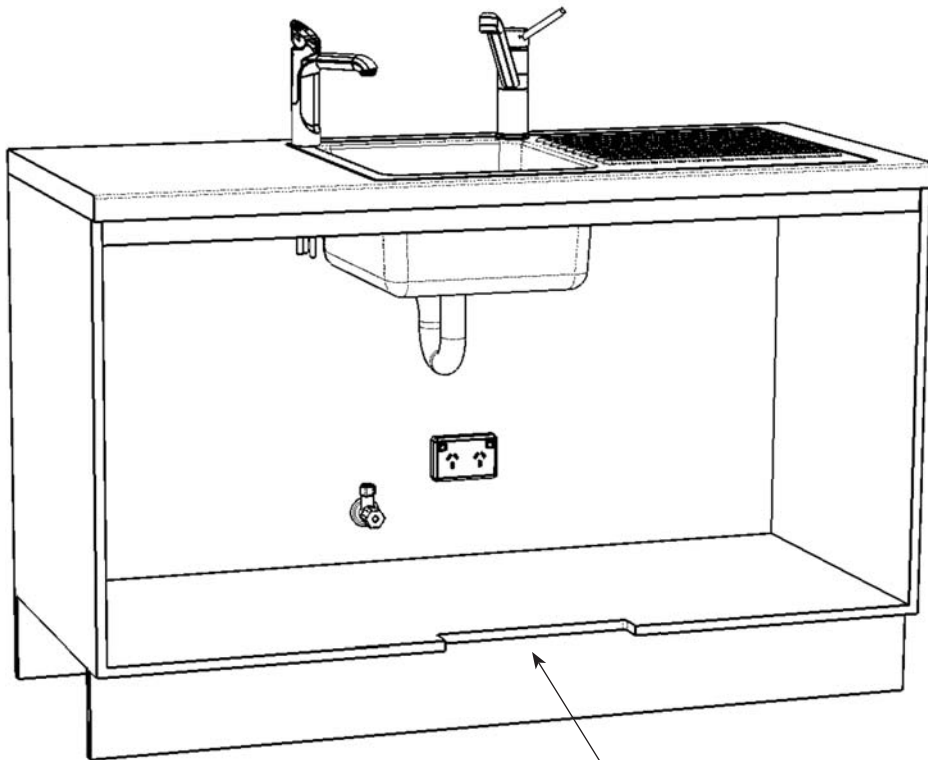


Ventilation

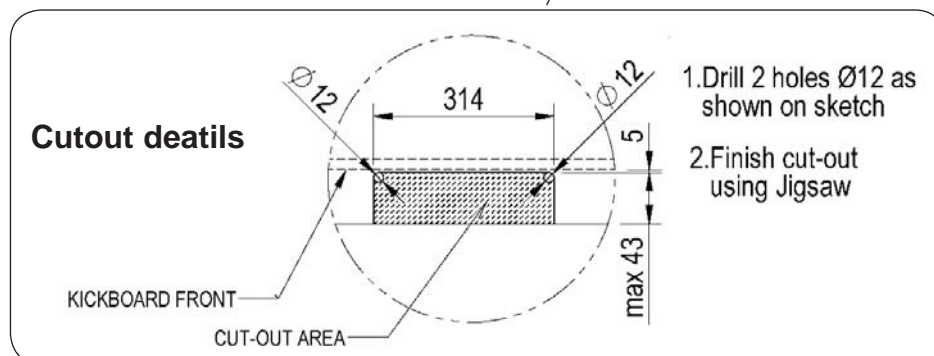
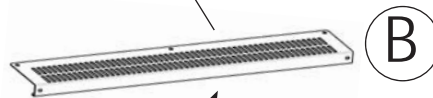
Typical Cut out procedure for



1. Mark out and cut the air inlet and door outlet holes as shown
2. Ensure the air inlet vent and air outlet vent are positioned at opposite ends of the same cupboard space.
3. Fit the inlet vent, as shown and secure with 5 screws
4. If required, fit the outlet vent, as shown in the hottest part (top) of the cupboard and secure with 4 screws



Air inlet vent

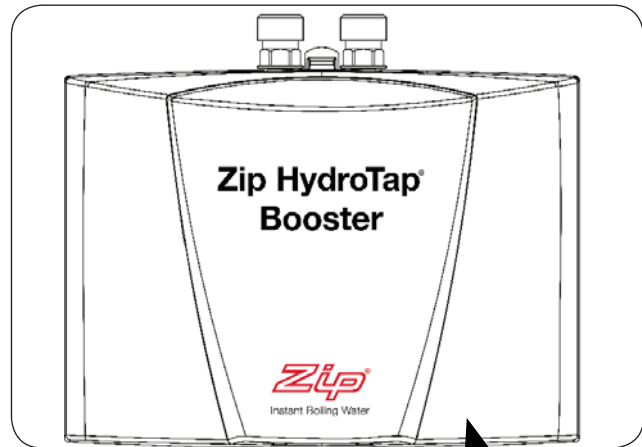


Section 3

Booster Heater

3.1 Product Description

The boost unit is a compact electronically controlled auxiliary water heater. It is intended to provide pre heating of water before it enters the Zip HydroTap G4 boiling tank. The Booster is supplied with the BCSHAV model. However, it may be later installed, as an accessory for the BCS model, to increase its delivery.



Note1: water connection

:Blue marking - water in

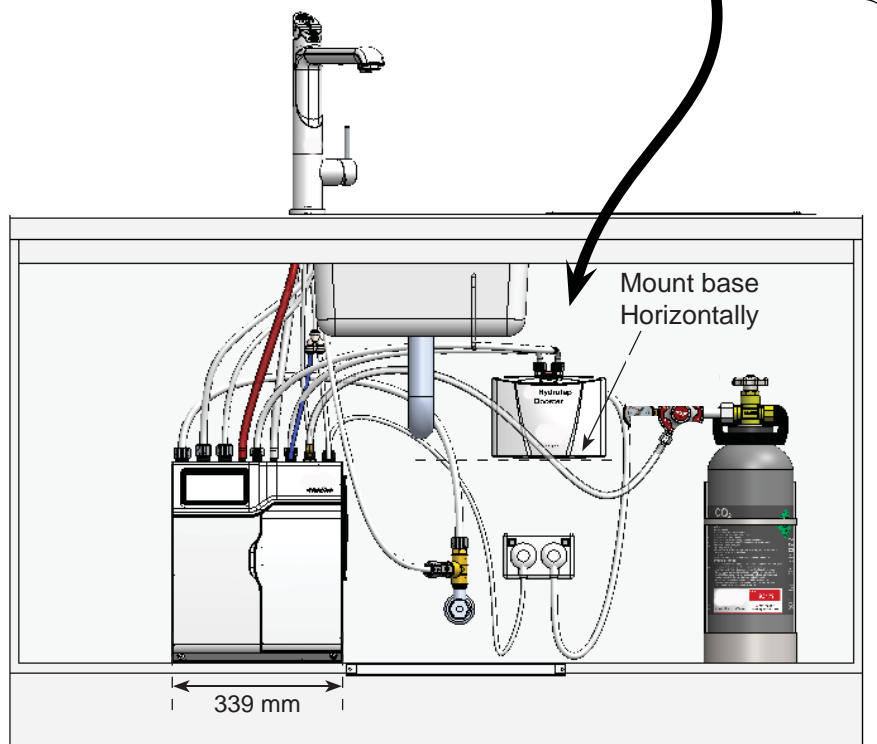
:Red marking - water out.

The braided hoses cannot be lengthened.

Note2: The electrical cable length is 1.0 metre.

Note3: Position the Booster within reach of the fixed hose lengths, keeping the Booster as close as possible to the undersink unit inlet/ outlet fittings.

Note4: Ensure the Booster heater is mounted in an upright position (as shown) with a horizontal base



Booster Specifications:

	Rating	Unit
Nominal Power Rating	2.2	kW
Nominal Current	10	A
Electric Supply	50Hz AC	230
Elect flex and plug (black) - 1 meter length (with 90° Australian plug)	10	A
Fixed Flow Rate	1.2	L/min
Minimum water pressure	200	kPa

Booster Installation

3.2 Installation Procedure

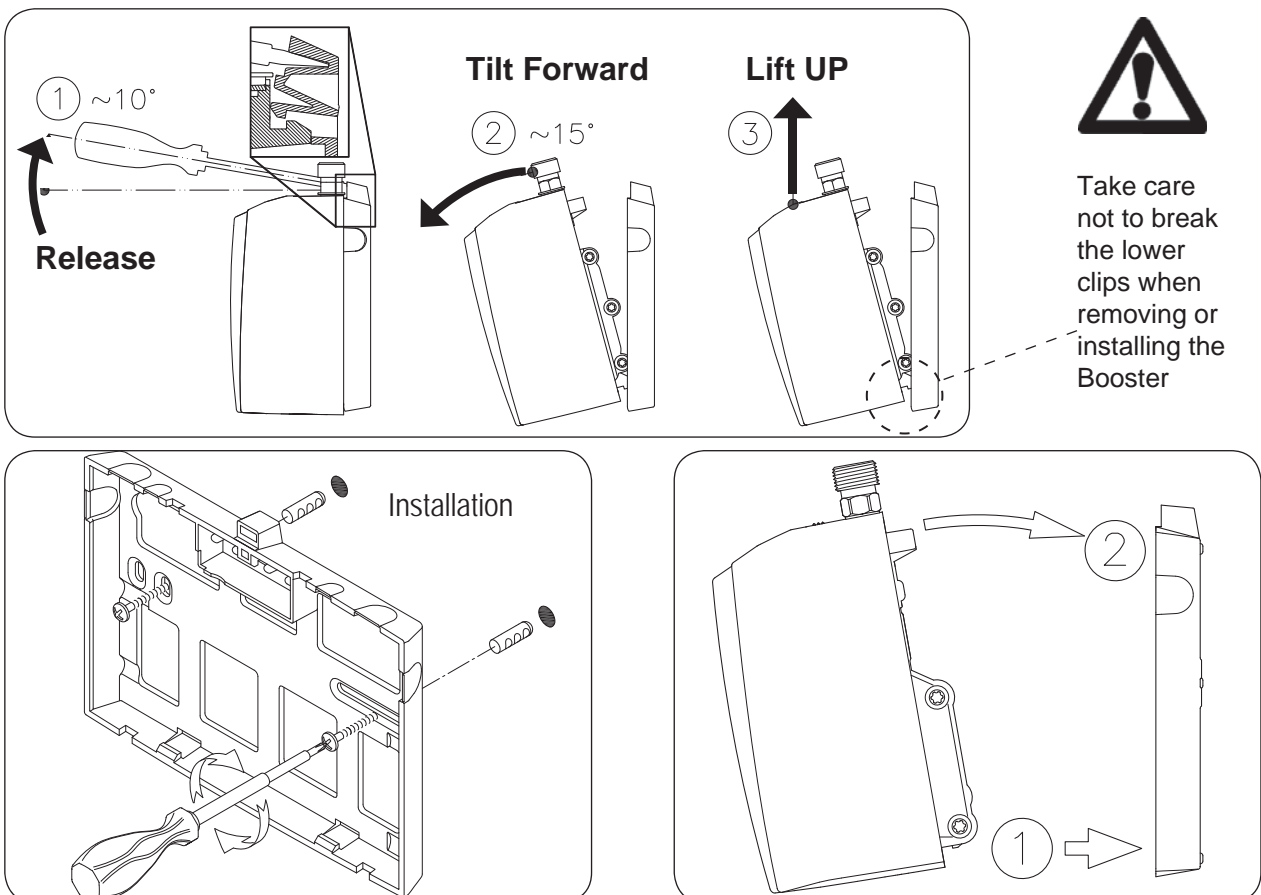
Site requirements

- Appliance must only be installed in a frost-free area. Never expose appliance to frost.
- The Appliance is designed for wall mounted Installation and must to be installed with water connectors facing upwards.
- The appliance complies with protection class IP 25.
- The 300mm braided hoses supplied with the unit cannot be lengthened.
- The 90° elbow hose ends, should be fitted to the inlet and outlet connections on top of the Booster.
- The hot water outlet hose must be thermally insulated with the insulation provided.


3.3 To Remove / Install the appliance

1. Insert a flat head screwdriver all the way into the lock.
2. Gently angle the screwdriver upwards by approximately 10° as shown in the image below.
3. Pull the appliance forwards by approximately 15° as shown.
4. Carefully pull the appliance upwards to complete the removal process. Taking care not to break the lower clips.
5. To install; Place the appliance on the wall bracket and snap into position (See installation below).

 **NOTE:** Remove the backing plate for wall mounting



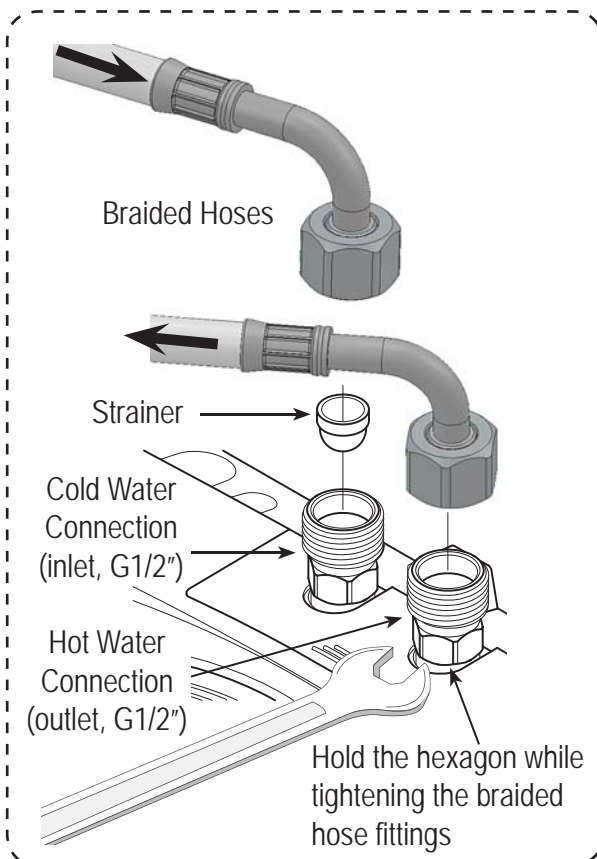
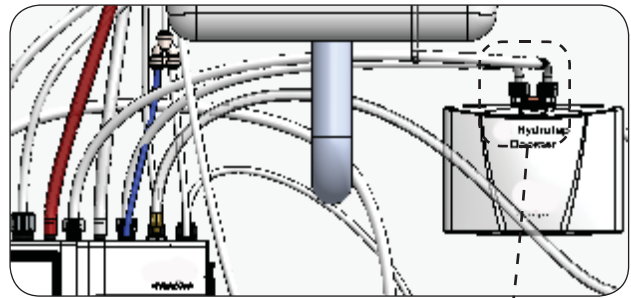
Booster System

-  **NOTE1:** This appliance is intended for use with the Zip HydroTap under sink unit.
- NOTE2:** Water connections must be pointing vertically upwards.
- NOTE3:** The booster unit should be installed as close as possible to the Zip HydroTap Unit as the 400mm connection hoses cannot be lengthened.

3.4 Braided hose connections

1. The cold water inlet (blue) and hot water outlet (red) are marked on the rating plate. Connect the braided hoses from the 'Bypass Out' fitting to the water inlet of the booster unit (Marked Blue) and from the outlet of the booster unit (Marked Red) to the 'Bypass IN' fitting on the Zip HydroTap unit. Avoid exerting any mechanical pressure on the appliance. This can be achieved by applying a spanner on the flats of the inlet and outlet connections when tightening the braided hose connectors. Do not overtighten! Tighten the braided hoses by hand, then turn an additional 90° - 180° with a spanner
2. Once the water connections have been made, check for any leaks and rectify as necessary.

Typical Installation



Section 4

CO₂ Cylinder



WARNING:

This cylinder must be installed in an open plan area or in an enclosed room, with a volume no less than 20m³. If more than 1 gas cylinder containing CO₂ is present within the same location, the recommended ventilated area should be in proportion to the number of gas cylinders stored in that location.

A ventilated area is a non-enclosed area which could include the kitchen, living room etc.

See gas bottle and MSDS sheet for a complete list of warnings. (See: www.zipindustries.com)

4.1 Secure the cylinder mounting:

Secure the gas bottle supplied to a suitable wall, within 1 metre of the unit, in an upright position. This is done by screwing the metal plate holding the Hook-and-loop strap to a cupboard wall, 200mm above the floor or base of the cupboard. Make sure the gas bottle can stand before securing to the wall.

Due to regulatory requirements the gas bottle must be stored securely and in an upright position.

4.2 Connect the regulator:

Make sure the regulator knob is turned fully anti-clockwise to the end-stop before fitting. Fit the regulator to the gas bottle. Be aware that some CO₂ may be discharged from the connection to the regulator as the bottle and the regulator are assembled together. Any CO₂ released will be cold. Continue to screw on the regulator to stop this leakage.

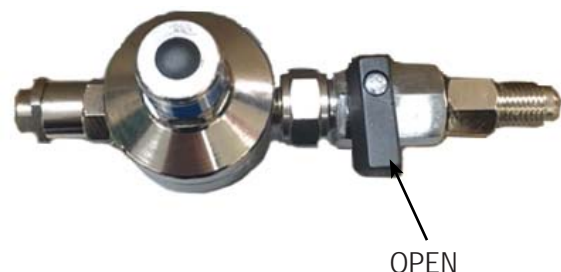
Note: The regulator comes pre-set fixed pressure at 300kPa.

Turn the knob fully anti-clockwise before fitting



4.3 Connect the gas hose:

Connect the braided gas hose to the top of the undersink unit via the John Guest fitting marked 'Gas IN'. Then connect the threaded end to the regulator, taking care not to lose the plastic olive located inside the threaded nut. To turn the gas ON, rotate the regulator knob clockwise to the end-stop.



CO₂ Connections & Leak Testing

4.4 Test for gas leaks:

Using soapy water perform a leak test. Apply the soapy water to the gas connections using a sponge. If any bubbles appear and grow, there is a gas leak at the connection. Clean away the soapy residue and tighten or refit the leaking connection. Make sure the regulator is turned off when tightening or refitting the leaking connection.

Refit the gas bottle to the Hook-and-loop strap and secure the bottle in an upright position.

NOTE: Care must be taken when working with high pressure carbon dioxide, and in no cases should the normal operating pressure of 2.7-3.0 bar (270-300kPa) be exceeded.

Connect the unit to the mains power supply.



IMPORTANT:

After replacing a bottle or after making a gas connection, check for gas leaks:

Stage1:

1. Turn the gas OFF
2. Using soapy water applied with a sponge, or with a brush, cover all of the gas joints with a liberal amount of suds.



Stage 2:

1. Turn ON the gas
2. Inspect the joint for leaks
3. If any bubbles appear, the joint will need to be resealed.

Section 5

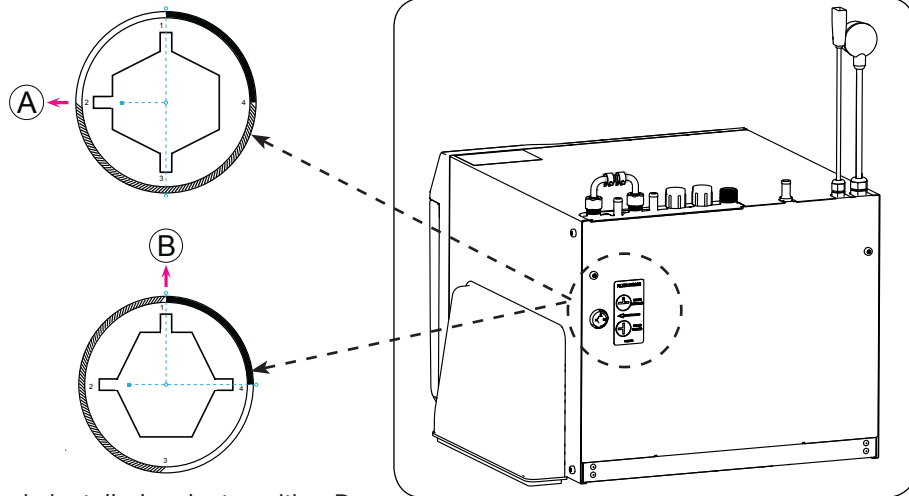
Undersink Unit Installation

Note: Before you install a unit, determine whether a water softener or an external filter is required.

5.1 External Bypass Valve

The diverter bypass valve allows the user to choose to have the boiling feed water bypass the internal filter and only be filtered by the external filtration. This diverter valve is located at the rear panel of the Zip HydroTap undersink unit on the filter door side, see the image below.

If no external filter is installed, select position A



Check to determine which filter bypass position you need for your product.

If an external filter is installed, select position B

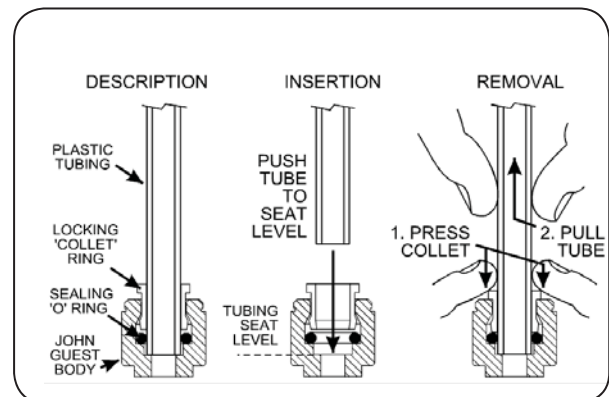
5.2 Hose and tube fitting. (Do not overtighten)

- Remove all caps from the top of the undersink unit
- Fit the foam insulation to the Blue and to the White tubes after trimming them to length
- Install the mains water braided hoses to the undersink unit before locating the unit in place.

John Guest fittings (Insertion and removal)

Be careful when cutting the poly tube so that there are no rough edges and that the tube is not distorted.

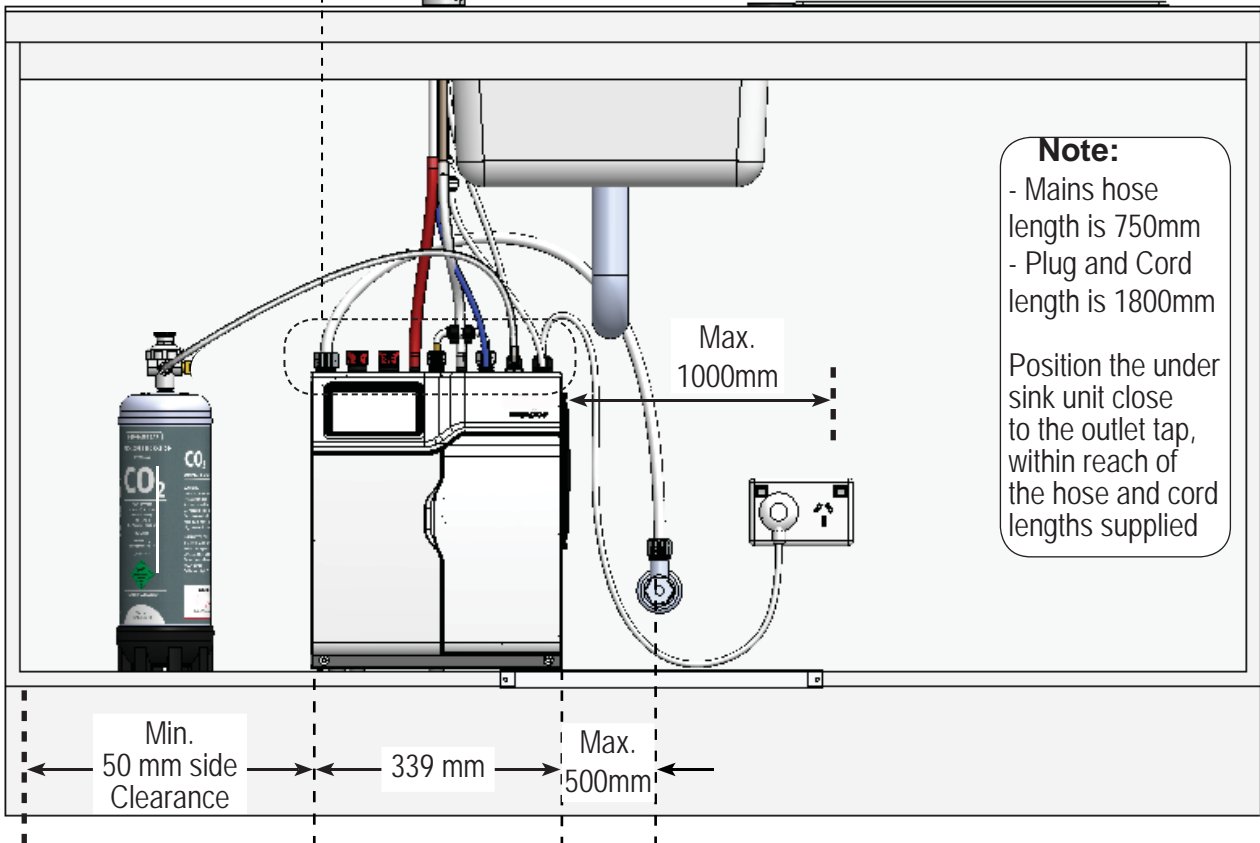
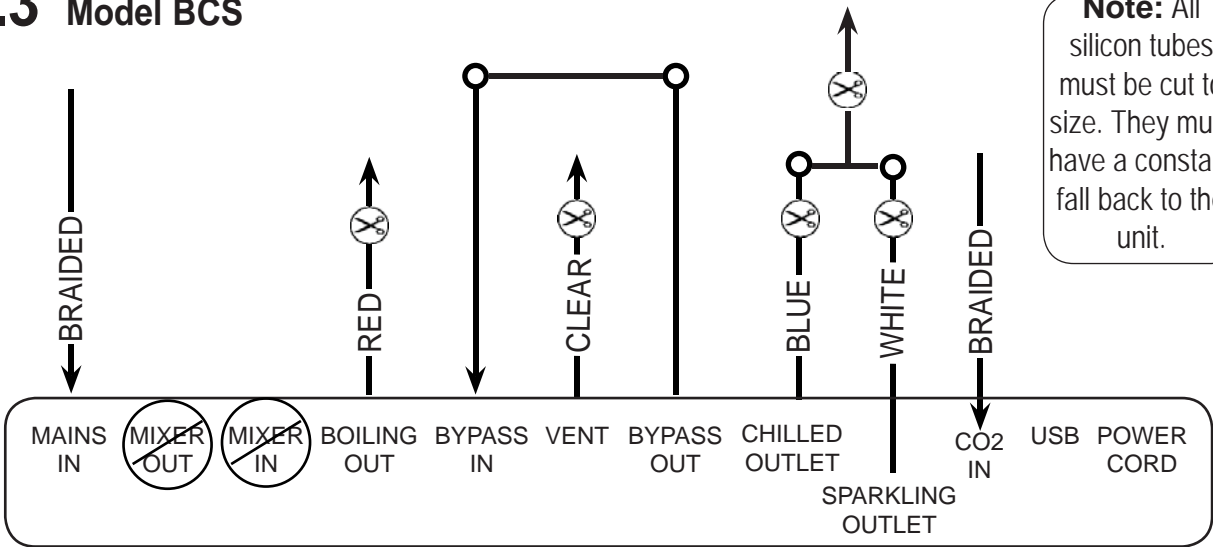
1. Use a sharp knife to ensure the tube has a clean, straight edge. Do not cut at an angle.
2. Remove any swarf or unwanted material.
3. Push the tube into the John Guest fitting making sure all connections to the John Guest fittings are pushed in past the "O"ring to full depth, at least 15-16mm.
4. Check for a good joint by pulling back on the tube. If the tube comes out, of the fitting, repeat the above step.
5. To remove the tube, press the collet into the fitting and at the same time pull back on the tube.



Installation Instructions

5.3 Model BCS

Note: All silicon tubes must be cut to size. They must have a constant fall back to the unit.



Note:
 - Mains hose length is 750mm
 - Plug and Cord length is 1800mm
 Position the under sink unit close to the outlet tap, within reach of the hose and cord lengths supplied

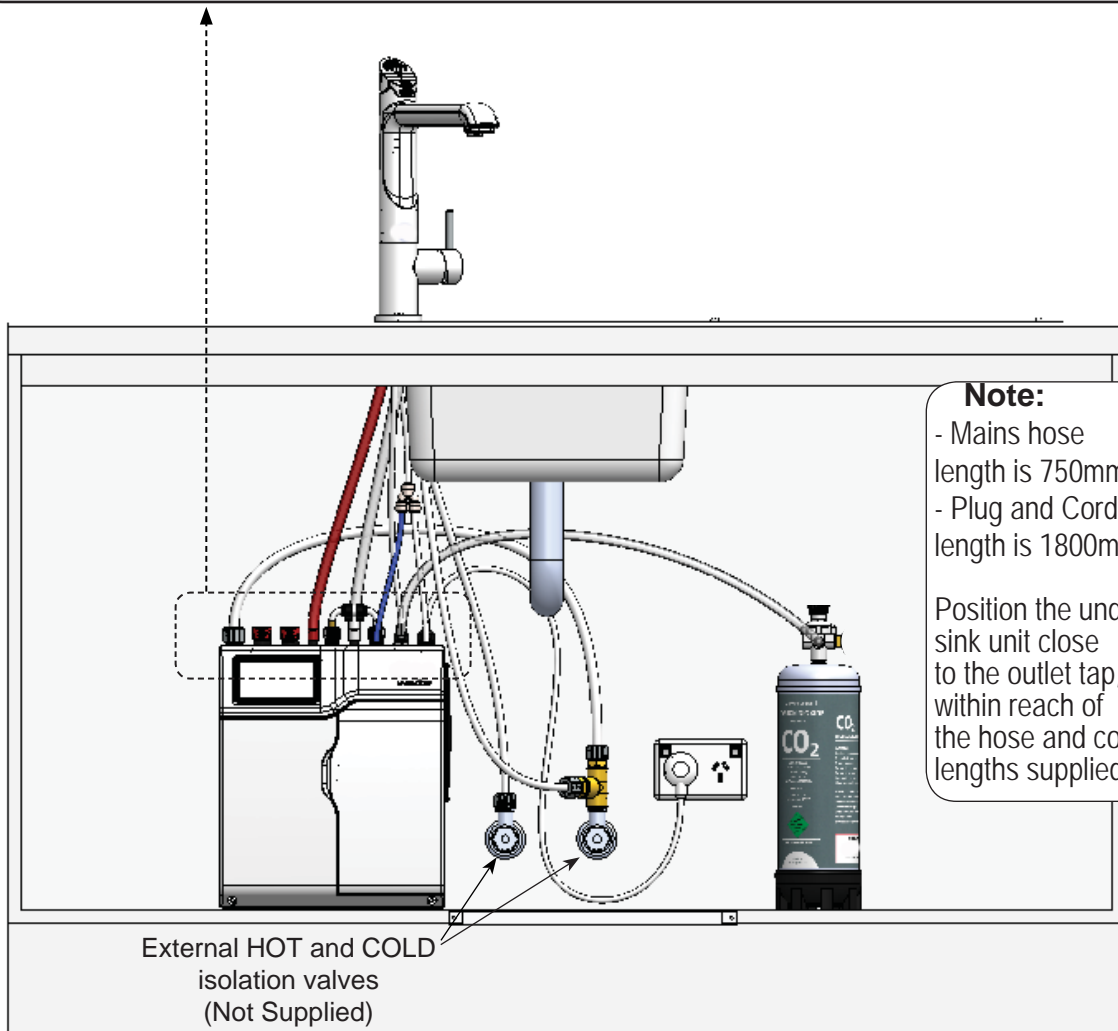
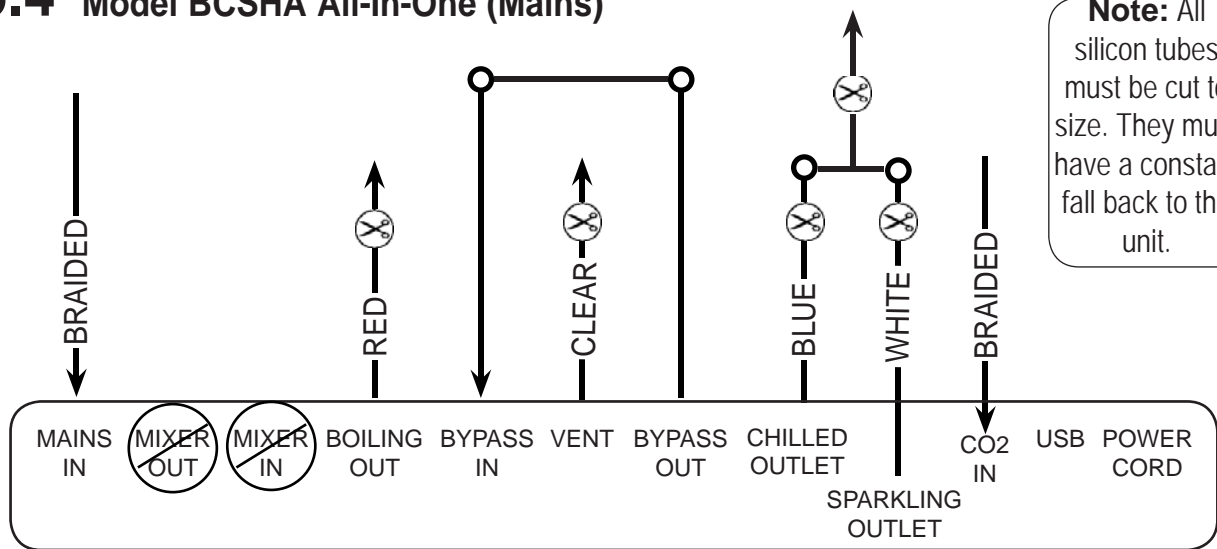


Note: The tube lengths are matched to the pumps performance and therefore CANNOT be lengthened

: Not required for standard BCS HydroTap models.

Installation Instructions

5.4 Model BCSHA All-In-One (Mains)



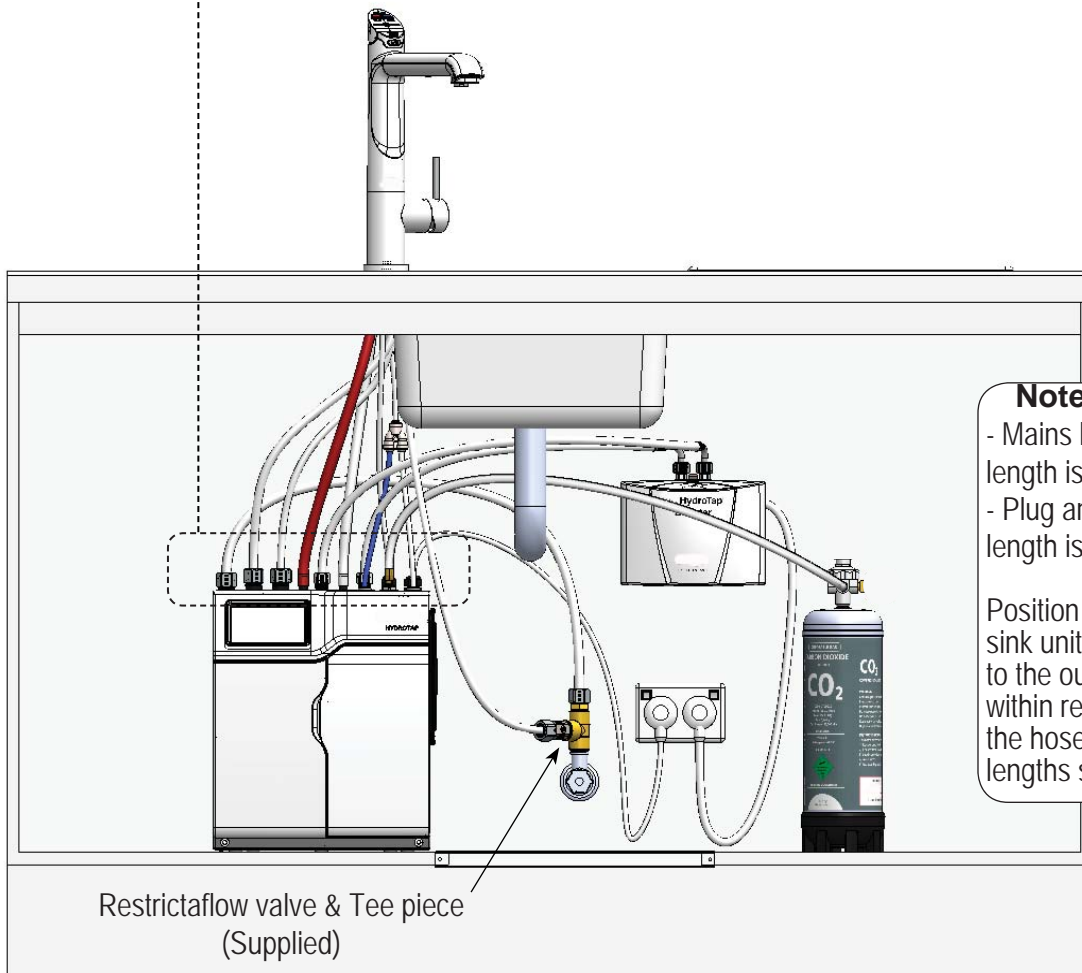
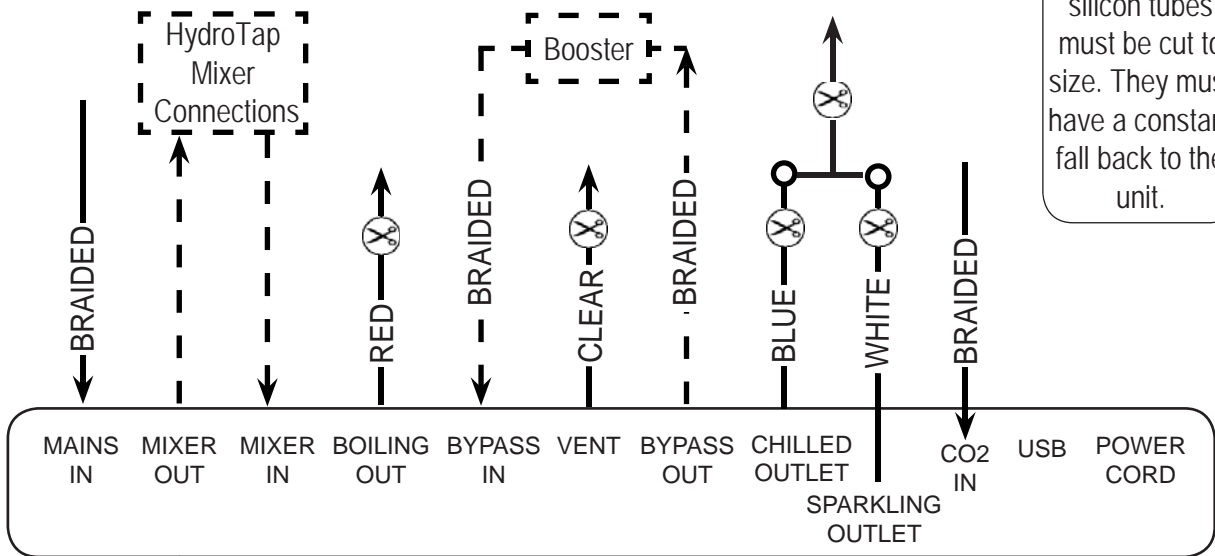
Note: The tube lengths are matched to the pumps performance and therefore CANNOT be lengthened

⊘ : Not required for standard BCSHA HydroTap models

Installation Instructions

5.5 Model BCSHAV All-In-One (Vented)

Note: All silicon tubes must be cut to size. They must have a constant fall back to the unit.



Note:

- Mains hose length is 750mm
- Plug and Cord length is 1800mm

Position the under sink unit close to the outlet tap, within reach of the hose and cord lengths supplied

Note: The All-In-One vented taps require a Zip Restrictaflow valve and Tee piece, as supplied, to be fitted in the cold water supply line, from the isolation valve (Not supplied), to the mixer tap. (See diagrams)

Note: Fit the insulation (supplied) to the JG tubes used for Sparkling and for Chilled water

Note: To activate filter, flush at least 10L of water through the filter before connecting to a Booster heater.

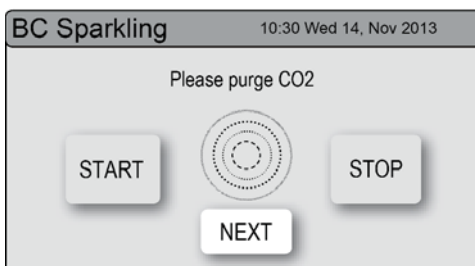
Section 6

Commissioning

The HydroTap is now ready to be commissioned.

- Turn ON the water and gas and check for any leaks.
- Turn the power ON at the GPO and at the side of the undersink unit
- If fitted, ensure the Booster is turned OFF. (The Booster is commissioned, later, at section 7.4)
- Familiarise yourself with the operation of the Tap, in preparation for use (See User Guide)
- Follow the Installation instructions below (and review Section C of the User Guide).
- Initially you will be prompted to select a language
- After commissioning, the system may be customised by selecting further options in Section G - Settings, within the User Guide.

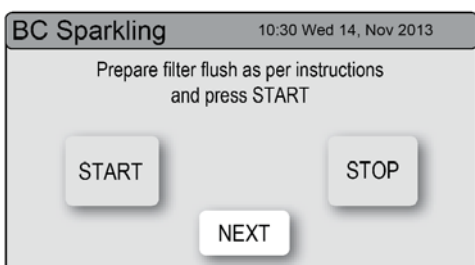
6.1 - CO₂ Purge



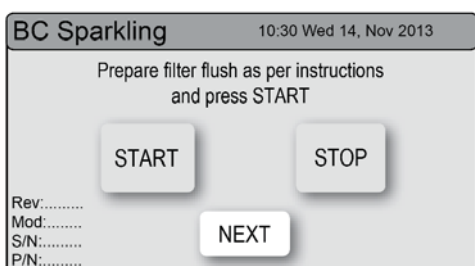
1. Press the [START] button to commence the purging process.
2. Purge for 10 seconds and ensure all water has stopped flowing through the tap. (You will hear the CO₂ gas escaping from the tap).
3. Press the [Stop] button.
4. Press [Next] for the filter flush screen

6.2 - Filter Flush

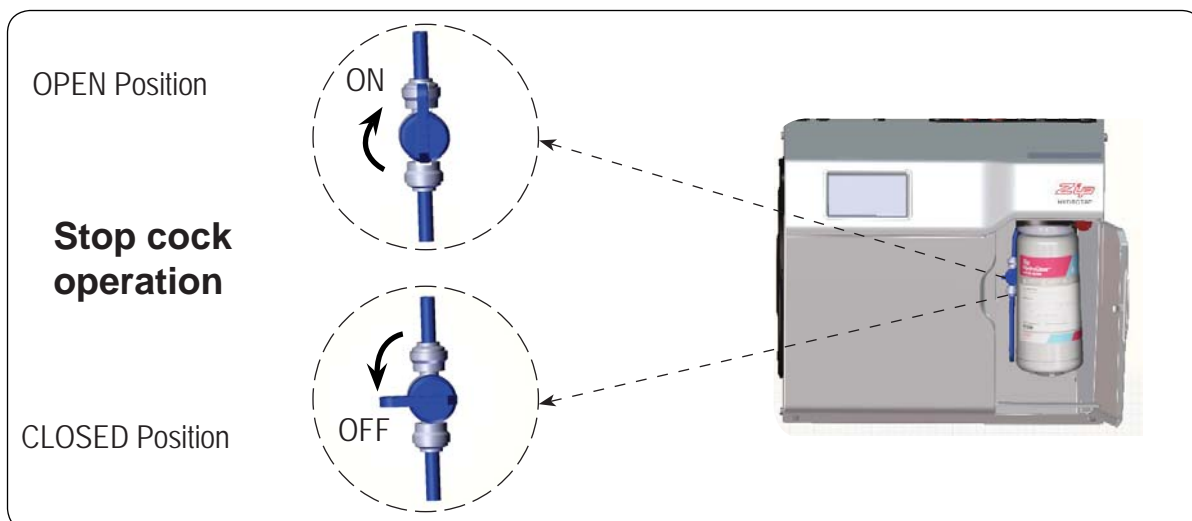
Have a 10L bucket or similar container (not supplied) at the ready to hold a quantity of water that will be ejected while the Filter Flush Mode is in operation. Open the filter access door on the front of the HydroTap and the filter cartridge will be exposed. Located to the rear RHS of the cartridge is a flush line, approx 600mm long and the flush line stop cock. Place the valve end of the flush line into the 10L bucket or container.



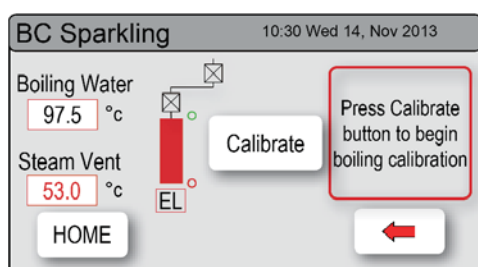
1. Press [Start] [Stop] buttons to start and stop the filter flush.
2. Turn the flush line stop cock ON (See diagram).
3. Press [Start] and allow at least 10 litres of water to flush through the filter.
4. The product details will be displayed in the screen.
5. Once the filter flush is finished, Turn the stop cock OFF then press [Stop] to end filter flush mode.
6. Press [Next] for the Boiling Calibration screen.



Commissioning

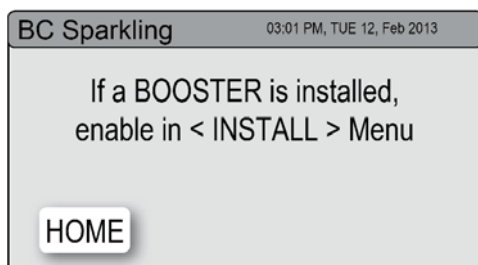


6.3 - Boiling Calibration (Boiling models)



- Press the calibration button and the system will commence the Boiling calibration procedure. This will take approx 5-6 minutes.

6.4 - Booster



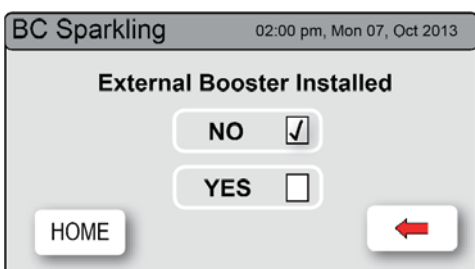
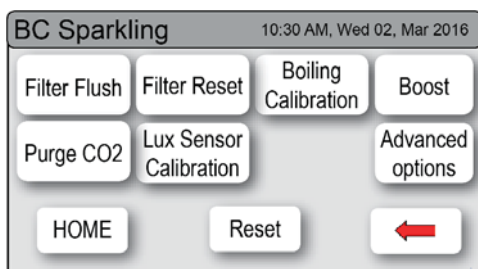
- Upon completion, a Booster reminder screen will appear and allow you to return home by pressing the [Home] button.
- Check the Date and Time settings (See Note below)

NOTE: failing to make the correct selection for the "Booster", will affect product performance.


NOTE: Depending on your location you may need to re-set the internal clock. See section G of the user guide to check and if necessary, reset the Date and Time for your time zone.

Commissioning

To enabled when a Booster unit is installed.



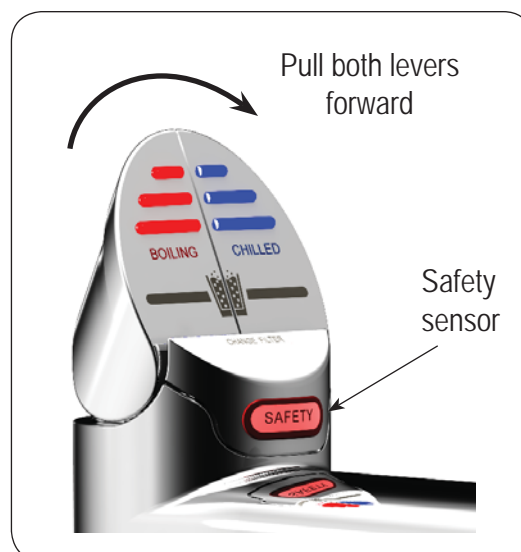
1. Press the [MENU] button for main menu.
2. Press the [Install] button.
3. Press the [Booster] button.
4. In the next screen, select YES to enable the Booster.
5. Water must be run through the Booster for a min of 30 seconds, before the heater will activate.
6. Dispense boiling water for 30secs and check the Booster outlet hose is warm when the boiling water tank is replenishing.

 **NOTE:** For any subsequent filter changes or any operational procedures, please refer to the HydroTap user guide, located inside the filter housing access door.

6.5- Safety Sensor Calibration (Classic and All-In-One models)

Light intensity varies from site to site, therefore it is recommended that a re-calibration be performed at the time of the installation. All direct natural sun light must be shaded from the HydroTap, during the calibration. This can be achieved by closing any nearby curtains, blinds, or by shielding the HydroTap with a dark cloth.

1. With the unit in Normal operating mode and with the safety enabled
2. Turn the power OFF
3. Pull both tap levers to the forward position
4. Turn ON the power
5. The unit will calibrate the safety switch
6. Return the levers to the neutral position.
7. To check the calibration, dispense Boiling water, in normal light conditions with the safety enabled.



Trouble Shooting

System Fault Message	Possible Cause	Solutions
Power board fault	Electrical disruption	Check power supply and all fuses
Interface fault	Internal fault	Call Zip Service
Level board fault	Internal fault	Call Zip Service
Condenser screen blocked	Blocked Air filter	Remove blockage / Clean filter / check user guide
Water leak, Isolate mains	Water leak	Turn off mains water supply / Call for service
Compressor over-run	Compressor too Hot	Check ventilation
Water supply failed	No water	Check water supply is turned ON
Hot sensor Open	Internal fault	Call Zip Service
Hot sensor Closed	Internal fault	Call Zip Service
Cold sensor Open	Internal fault	Call Zip Service
Cold sensor Closed	Internal fault	Call Zip Service
Flood sensor Open	Internal fault	Call Zip Service
Condenser sensor Closed	Internal fault	Check Ventilation / Call Zip Service
Condenser sensor Open	Internal fault	Check ventilation / Call Zip service
Heater fuse / driver fault	Internal fault	Call Zip Service
Heater driver fault	No hot water	Call Zip Service
Compressor driver fault	No chilled water	Call Zip Service
Hot sensor degraded	Internal fault	Call Zip Service
Condenser overtemp.	Blocked air filter	Remove blockage / Clean filter / check user guide
A DC Pump is faulty	Internal fault	Call Zip Service
Steam is too cool	Internal fault	Call Zip Service
Steam sensor Open	Internal fault	Call Zip Service
Steam sensor Closed	Internal fault	Call Zip Service
Over Steamed	Internal fault	Call Zip Service
Hot tank overfilled	Internal fault	Call Zip Service
Comp Fuse/Driver Fault	Internal fault	Call Zip Service
Hot tank under filled	Low water pressure	Check water supply
Boil dry protection	Safety activated	Turn OFF / On power to reset
Flash Mem corrupted	Internal fault	Call Zip Service
Flow Sensor Fault	Internal fault	Call Zip Service

Call an electrician, a plumber, or Zip for a free call in Australia on 1800-638-633 for assistance, service, spare parts or enquiries.

End of Life Disposal

In order to help preserve our environment we ask that you dispose of this product correctly. Please contact your local city council for collection centre details.

Notes

Contact Details

Head Office

Zip Heaters (Aust) Pty. Ltd.
ABN: 46 000 578 727
67 Allingham Street
Condell Park NSW 2200
Postal: Locked Bag 80
Bankstown 1885 Australia

Website: www.zipwater.com
Facsimile: (02) 9796 3858
Telephone: (02) 9796 3100
Free Call: 1 800 638 633

As Zip policy is one of continuous product improvement, changes to specifications may be made without prior notice. Images in this booklet have been modified and may not be true representations of the finished goods.

The standard cup referred to in this publication is 167 ml (6 fl oz).

The standard glass is 200 ml (7 fl oz).

The terms "Zip" and "HydroTap" are registered trade marks of Zip Heaters (Aust) Pty Ltd.

Zip products described in this publication are manufactured under one or more of the following patents: AU675601, AU637412, AU635979, GB0422305, GB2065848, US4354049, US5103859, US5099825 and SA2006/08043. Other patents are in force and patent applications are pending.

